

Embedded Truss Anchors

HTA / HTAR Series

The new improved HTA embedded truss anchor series design offers a high uplift capacity with two rows of nails for wood framing attachment to lintels, concrete, or masonry. An embossed embedment line assures accurate embedment depth. The HTAR models also include an attached moisture barrier seat to protect wood members.

Materials: HTA-18 / HTA-18R – 18 gauge;
HTA / HTAR / HTA-2R – 16 gauge

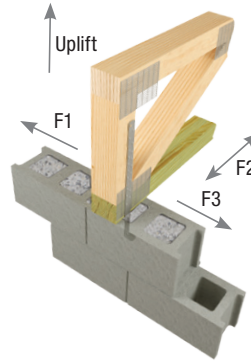
Finish: G90 galvanizing

Options: HTA20 is available in Triple Zinc (TZ) and Stainless Steel (SS). To order, add TZ or SS to stock number, as in HTA20-TZ or HTA20-SS.

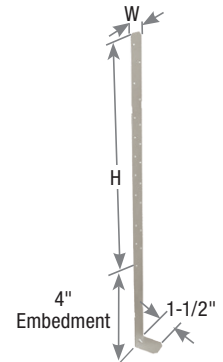
Codes: FL17680

Installation:

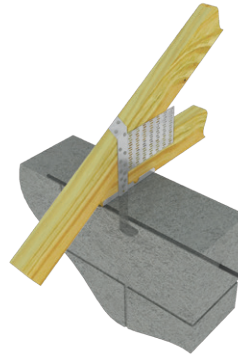
- Use all specified fasteners.
- Embed 4" into concrete tie beam or masonry bond beam.
- **For double anchor installations:** anchors should be installed on opposite sides of wood member and offset a minimum 3/4" from each other in bond beam or concrete tie beam. See increased design values in table on next page.
- Designer may specify alternative nailing schedules.
- When using alternative nailing schedules, lower-most holes in strap shall be filled progressing upward towards the top of the strap.
- Straps may be installed straight or wrapped over to achieve table loads.
- Moisture barrier will be required in HTA installations unless another moisture remediation method is used.



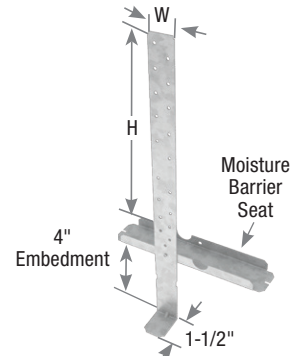
**Typical HTA24-18
single anchor installation**



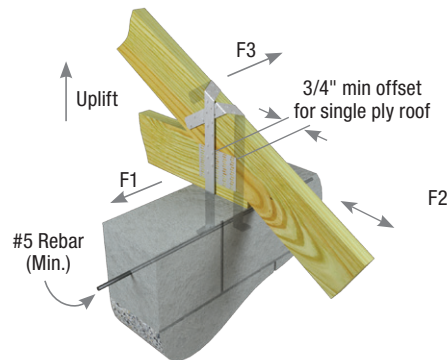
HTA24-18



**Typical HTA16R
single anchor installation**



HTA16R



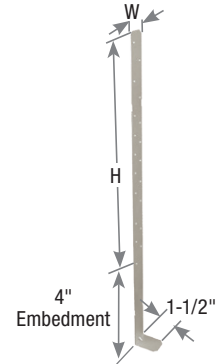
**Typical HTA16
double anchor installation**

Continued

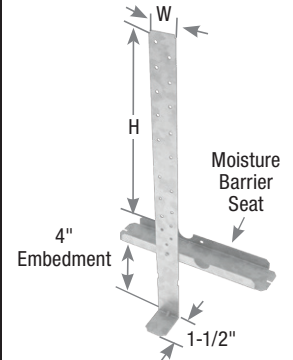
Embedded Truss Anchors

HTA / HTAR Series

USP Stock No.	Ref. No.	GA	Dimensions (in)		Fastener Schedule		Installation Type ⁸	SP Allowable Loads (Lbs.) ^{1,2,3,4,5}						
			W	H ⁷ (Out of Concrete)	Per Anchor			Uplift 160%		Lateral Loads				
					Min Qty. ⁶	Type ⁹		Masonry	Concrete	Masonry/Concrete (1 or 2-Ply)				
								1-Ply	2-Ply	1-Ply	2-Ply	F1 160%	F2 160%	F3 160%
HTA12	HETA12	16	1-1/4	8	9	10d x 1-1/2	Single Anchor	1870	1870	1870	1870	270	710	945
HTA12R	HETA12-TSS2						Double Anchor	2430	2430	2430	2430	1215	1310	1215
HTA12-2R	HETA12-TSS2-2	16	1-1/4	8	9	10d x 1-1/2	Single Anchor	1870	1870	1870	1870	270	710	945
HTA12-2R	HETA12-TSS2-2						Double Anchor	2430	2430	2430	2430	1215	1310	1215
HTA16-18	META12, META16	18	1-1/4	12	9	10d x 1-1/2	Single Anchor	1625	1625	1625	1625	250	570	835
HTA16-18R	META16-TSS2						Double Anchor	2430	2430	2430	2430	1085	1140	1085
HTA16	HETA16	16	1-1/4	12	9	10d x 1-1/2	Single Anchor	1870	1870	1870	1870	270	710	945
HTA16R	HETA16-TSS2						Double Anchor	2430	2430	2430	2430	1215	1310	1215
HTA16-2R	HETA16-TSS2-2	16	1-1/4	12	9	10d x 1-1/2	Single Anchor	1870	1870	1870	1870	270	710	945
HTA16-2R	HETA16-TSS2-2						Double Anchor	2430	2430	2430	2430	1215	1310	1215
HTA20-18	META18, META20	18	1-1/4	16	9	10d x 1-1/2	Single Anchor	1625	1625	1625	1625	250	570	835
HTA20-18R	META20-TSS2						Double Anchor	2430	2430	2430	2430	1085	1140	1085
HTA20	HETA20	16	1-1/4	16	9	10d x 1-1/2	Single Anchor	1870	1870	1870	1870	270	710	945
HTA20R	HETA20-TSS2						Double Anchor	2430	2430	2430	2430	1215	1310	1215
HTA20-2R	HETA20-TSS2-2	16	1-1/4	16	9	10d x 1-1/2	Single Anchor	1870	1870	1870	1870	270	710	945
HTA20-2R	HETA20-TSS2-2						Double Anchor	2430	2430	2430	2430	1215	1310	1215
HTA24-18	META22, META24	18	1-1/4	20	9	10d x 1-1/2	Single Anchor	1625	1625	1625	1625	250	570	835
HTA24-18R	META24-TSS2						Double Anchor	2430	2430	2430	2430	1085	1140	1085
HTA24	HETA24	16	1-1/4	20	9	10d x 1-1/2	Single Anchor	1870	1870	1870	1870	270	710	945
HTA24R	HETA24-TSS2						Double Anchor	2430	2430	2430	2430	1215	1310	1215
HTA24-2R	HETA24-TSS2-2	16	1-1/4	20	9	10d x 1-1/2	Single Anchor	1870	1870	1870	1870	270	710	945
HTA24-2R	HETA24-TSS2-2						Double Anchor	2430	2430	2430	2430	1215	1310	1215
HTA48R	--	16	1-1/4	42-1/2	9	10d x 1-1/2	Single Anchor	1870	1870	1870	1870	240	470	680
HTA48-2R	HETA40-TSS2-2					10d x 1-1/2	Double Anchor	2430	2430	2430	2430	955	940	955
HTA48-2R	HETA40-TSS2-2	16	1-1/4	42-1/2	9	10d x 1-1/2	Single Anchor	1870	1870	1870	1870	240	470	680
HTA48-2R	HETA40-TSS2-2					10d x 1-1/2	Double Anchor	2430	2430	2430	2430	955	940	955



HTA24-18



HTA16R

- 1) Allowable loads have been increased 60% for wind or seismic loads; no further increase shall be permitted.
- 2) Allowable loads are based on anchorage to masonry/uncracked concrete.
- 3) DF Allowable Loads are identical to all SP Allowable Loads listed in the chart with the exception of the HTA single anchor installation type uplift allowable load which is limited to 1,730-lbs in both masonry and concrete.
- 4) Minimum specified masonry or concrete compressive strength, f'm is 1,500 psi and f'c is 2,500 psi at 28 days respectively.
- 5) Testing conducted and design values based on unreinforced masonry. Rebar in wall specified by others.
- 6) Minimum quantity of fasteners to be installed. Product may have additional nail holes not needed to meet published allowable load of product.
- 7) Height (H) is the distance the anchor extends out of concrete or masonry.
- 8) Double anchor installation is permitted on 1-ply roof members when anchors are offset from each other a minimum of 3/4".
Do not install anchors directly back-to-back or nails will interfere with each other.
- 9) **NAILS:** 10d x 1-1/2 nails are 0.148" dia. x 1-1/2" long.